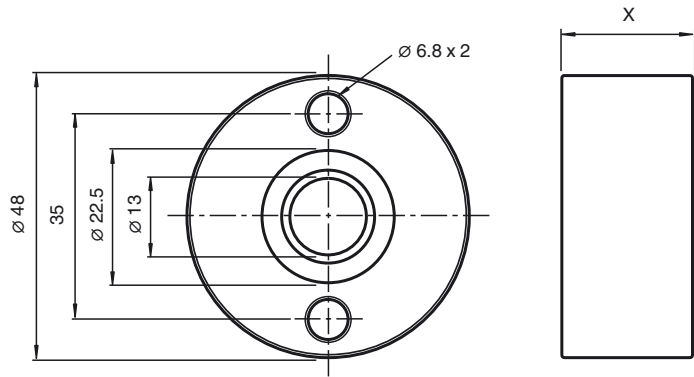


Dimensions



Model Number

SPACER 0.380 TO 0.875 : X.XXX"

Spacer for cylinder switches

Features

- For adapting standard probe lengths to application requirements
- X.XXX = spacer thickness in inches

Technical data

Mechanical specifications

Material	6061 aluminum
Seal	Viton O-ring inner diameter: 17.93 mm thickness: 2.46 mm
Note	When ordering specify thickness X.XXX" range: 0.380" ... 0.875" in increments of 0.005" (x = thickness)

Release date: 2011-03-03 20:44 Date of issue: 2011-03-03 900187_ENG.xml

Note

Mounting (F, D, & PD series sensors)

Probe through-hole (Figure 1):

Standard probe hole ports are tapped with size 3/8" NPT threading. The minimum probe through-hole diameter is 0.560".

Mounting holes (Figure 2):

Thread shall be 1/4" - 20. Hole spacing is 35 mm center to center.

Mounting screws (Figure 2):

Sensor and spacer are secured with two self-locking 1/4" - 20 socket head cap screws. Minimum recommended tightening torque is 150 in. lb.

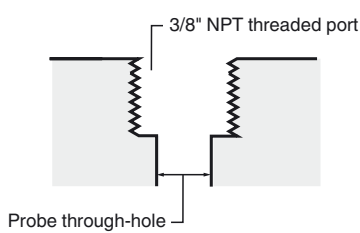


Figure 2

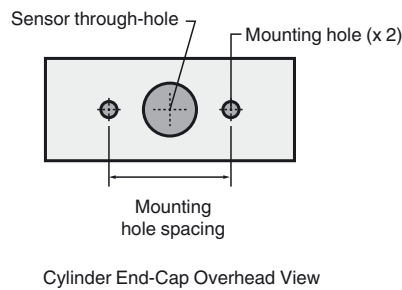


Figure 2

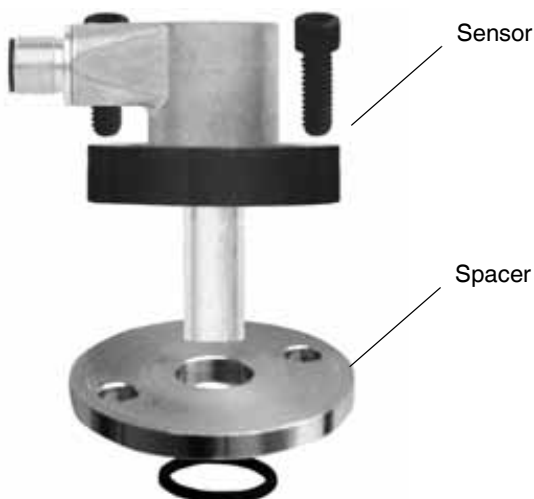
Important: Minimum mounting screw thread engagement depth is 0.250". Spacers typically necessitate longer mounting screws than those provided.

Example:

Probe length required: 0.625"

Cylinder switch: NJ2-D-E02-1.025-V1

Spacer thickness: 1.025" - 0.625" = **0.400"**



Release date: 2011-03-03 20:44 Date of issue: 2011-03-03 900187_ENG.xml